

Description	Specification
External dimensions (height x width)	400 mm x 400 mm
Distance between axis	350 mm x 350 mm
Lenghtways tubes	Extruded aluminium EN AW 6082 T6 - Ø50x2 mm
Crossways tubes	Extruded aluminium EN AW 6060 T6 - Ø25x2 mm
Connecting plate	Cast aluminium EN AC 42200 T6
Welding process	TIG -141/ISO 4063
Available lenght (cm)	10 - 25 - 50 - 100 - 150 - 200 - 250 - 300 - 350 - 400
Connection systems	QXFC - QXSM10

Section Area [mm ²]	Moment of inertia Y - axis [mm ⁴]	Moment of inertia Z - axis [mm ⁴]	Selfweight (approx.) [N/m]
1206	31.699.200	6.700.000	70

Span [m]	Centre Point Load (C.P.L.)			Third Point Load (T.P.L.)			Quarter Point Load (Q.P.L.)			Fifth Point Load (E.P.L.)			Uniformly Distributed Load (U.D.L.)		
	Point Load [kg]	Full Load [kg]	Central Deflection [mm]	Point Load [kg]	Full Load [kg]	Central Deflection [mm]	Point Load [kg]	Full Load [kg]	Central Deflection [mm]	Point Load [kg]	Full Load [kg]	Central Deflection [mm]	Load [kg/m]	Full Load [kg]	Central Deflection [mm]
1	1829	1829	0,1	1001	2003	0,1	701	2102	0,1	541	2166	0,1	2459	2459	0,1
2	1439	1439	0,9	837	1674	0,9	607	1820	0,9	480	1920	0,9	1225	2450	1,0
3	1181	1181	3	716	1431	3	533	1600	3	430	1721	3	814	2442	3
4	998	998	5	623	1246	6	474	1422	6	389	1556	6	576	2305	7
5	861	861	9	550	1099	10	426	1278	10	353	1413	11	413	2063	13
6	754	754	14	490	981	15	385	1156	16	324	1295	17	302	1813	20
7	669	669	19	441	883	22	351	1053	24	290	1161	25	230	1607	28
8	599	599	26	400	800	30	321	964	33	259	1037	34	180	1440	38
9	541	541	34	364	729	39	296	887	44	233	930	44	142	1280	49
10	491	491	43	334	668	50	273	818	56	211	844	55	115	1148	61
11	448	448	54	307	613	62	247	740	68	192	767	68	95	1043	75
12	410	410	65	283	566	75	224	673	82	176	702	82	79	942	90
13	377	377	78	261	523	90	204	613	97	161	643	97	66	857	106
14	347	347	92	242	484	106	187	562	113	148	593	114	56	788	124
15	321	321	107	225	450	124	172	516	131	136	545	132	48	722	143
16	296	296	124	209	418	143	159	476	150	126	504	152	41	664	163
17	274	274	142	194	388	164	146	438	170	116	465	172	36	617	186
18	253	253	161	181	361	187	135	404	192	107	430	195	31	560	206

Load table has been prepared in accordance with UNI ENV 1999-1-1 (Eurocode 9).

When calculating the allowable loads shown in the table, it is assumed that the trusses are simply supported at the end connection and that static loads will be applied to the node points.

The application of the load shall be on the centre line of the truss.

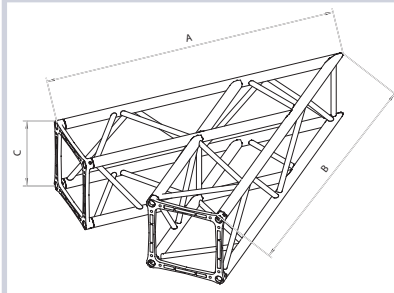
The values shown in the table are the allowable statics loads that can be applied to the truss. This is the live load or the payload.

The self weight of the truss has been taken into account when calculating the values in the table.

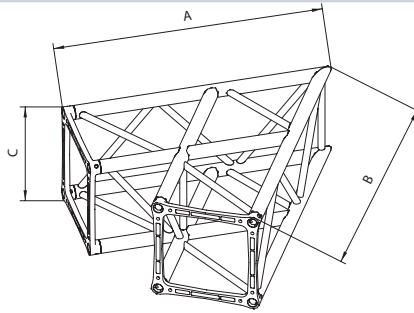
It should be noted that this is an idealised loading condition and the User shall re-analyze the truss for the loading condition which prevail for the application begin considered.

Date of issue
03/09/2008

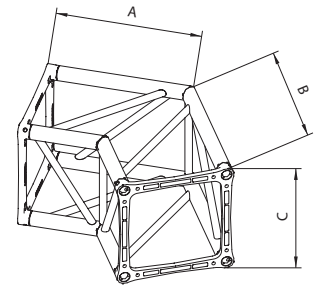
Litec is a Brand of Staging Systems Europe S.p.A.
www.litectruss.com - info@litectruss.com



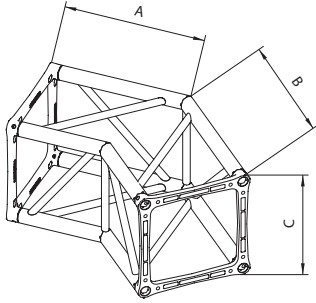
QX40SL2045



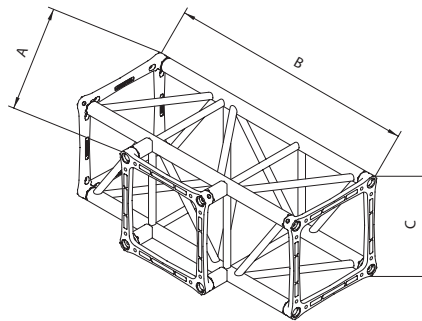
QX40SL2060



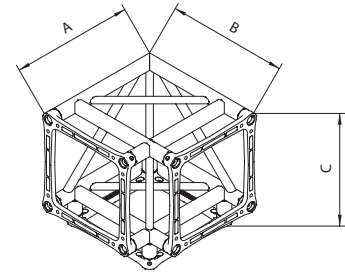
QX40SL2120



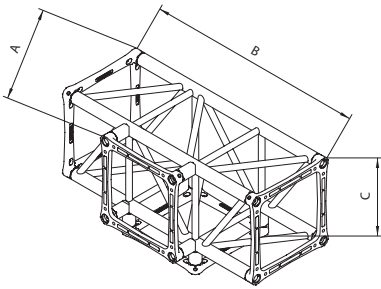
QX40SL2135



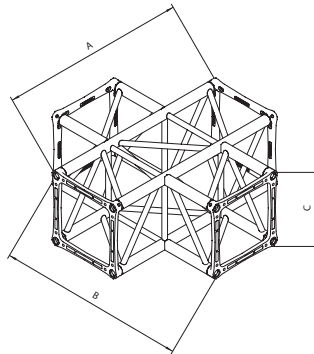
QX40ST3



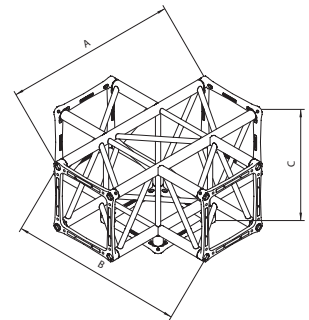
QX40SL3



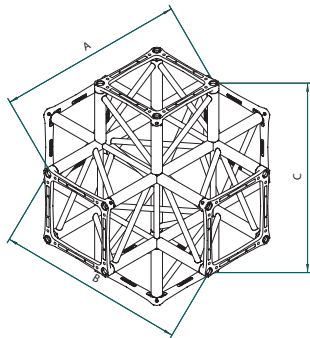
QX40ST4



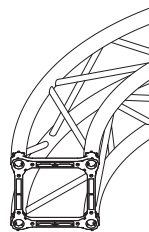
QX40SX4



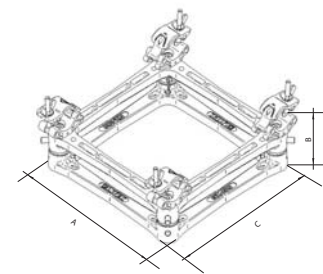
QX40SX5



QX40SX6



Q = Square truss



QX40SAC

CORNERS

Code	Dimensions (cm)	Weight (Kg)
QX40K8 (Dado)	40x40x40	12.30
QX40SL2ADJ	50x50x40	9.00
QX40SL2045	100x100x40	10.90
QX40SL2060	100x100x40	11.20
QX40SL2090	50x50x40	7.60
QX40SL2120	50x50x40	7.70
QX40SL2135	50x50x40	7.90
QX40SL3	50x50x50	9.80
QX40ST3	100x50x40	12.00
QX40ST4	50 x100x50	14.30
QX40SX4	100x100x40	16.00
QX40SX5	100x100x50	18.50
QX40SX6	100x100x100	22.00

TRUSS

Code	Dimensions (cm)	Weight (Kg)
QX40S010	40x40x10	4.40
QX40S025	40x40x25	5.00
QX40S050	40x40x50	6.70
QX40S100	40x40x100	10.00
QX40S150	40x40x150	13.20
QX40S200	40x40x200	16.60
QX40S250	40x40x250	19.90
QX40S300	40x40x300	23.20
QX40S350	40x40x350	26.50
QX40S400	40x40x400	29.80

RINGS

Curves, rings and ellipses are available on demand

Minimum diameter 2 m

Diameter measurement external

Weight per meter (aprox.) 7,00 Kg