



High Frequency Horn PH-4525

Applications

PH-4525 HIGH FREQUENCY HORN

The PH-4525 high frequency horn design is very similar to the PH-3223 except the horn mouth width is 17.72 inches (450mm) wide. This additional width improves horizontal pattern control and extends the low frequency operation limit to below 1000Hz. The horizontal beamwidth control is superior below 1000Hz. The PH-4525 is a 2 inch (50 mm) large diameter throat design and is compatible with many P Audio PreNeo and BMD series professional compression drivers.

The PH-4525 is a high performance mid range horn designed to provide superior vocal and mid range control. The horn width makes the PH-4525 ideal for use with 15 inch loudspeakers in a professional level two way design. The horn is constructed of high impact ABS with additional glass filling for superior structural support and rigidity.

The PH-4525 may be used with the following P.audio professional compression drivers. (or any industry standard compatible driver)

- BM-D750
- PreNeo-750N



Specifications

Nominal Coverage Angle (H° X V°) - 6 dB.	90° x 40°
Cut Off Frequency (Hz.)	400 Hz
Throat Diameter	50mm. (2")
Mounting Type	BOLT ON
Construction	Injected Polymer A.B.S.with glass fiber filled Black Polycarbonate

MOUNTING DIMENSIONS :

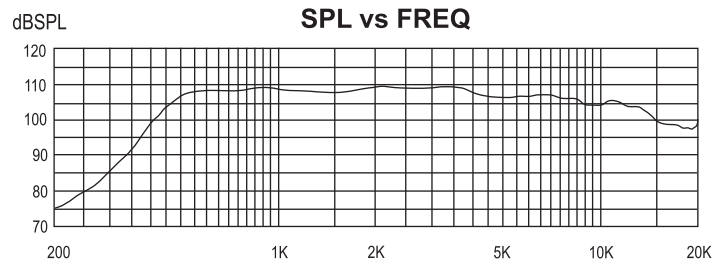
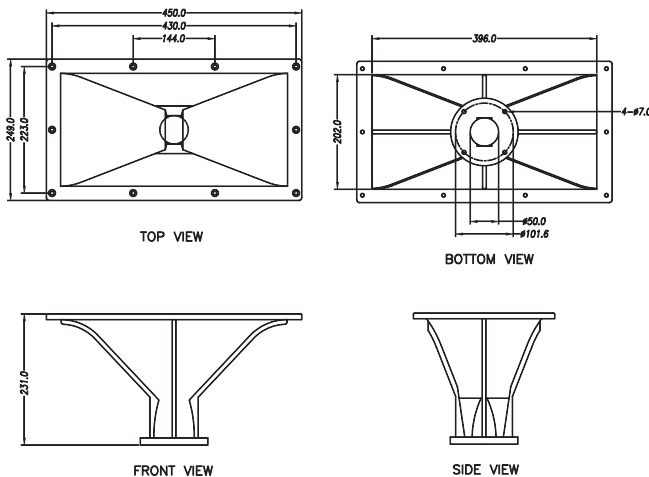
Rear Height :	205mm (8.07")
Rear Width :	400mm (15.74")

OVERALL DIMENSIONS :

Mount Height :	250mm (9.84")
Mount Width :	450mm (17.71")
Length :	230mm (9.05")

BAFFLE CUTOUT DIMENSIONS :

Height :	205mm (8.07")
Width :	400mm (15.74")
Net Weight :	1.6Kg (3.52 lbs)
Shipping Weight :	2.7Kg (5.94 lbs)
Packing Dimension :	275mm x 475mm x 241mm 10.82" x 18.70" x 9.48"



Response of horn with PreNeo-750N

19/4 Moo 2 T.Bangkratuk A. Samparn Nakornpathom 73210 Thailand
 Tel: +66-2-441-6600 Auto 30 Lines
 e-mail: info@paudiothailand.com
 Web site: www.paudiothailand.com
 All rights reserved by P.Audio System Co., Ltd. 2007

