

High Frequency Horn PH-180

Applications

PH-180 HIGH FREQUENCY HORN

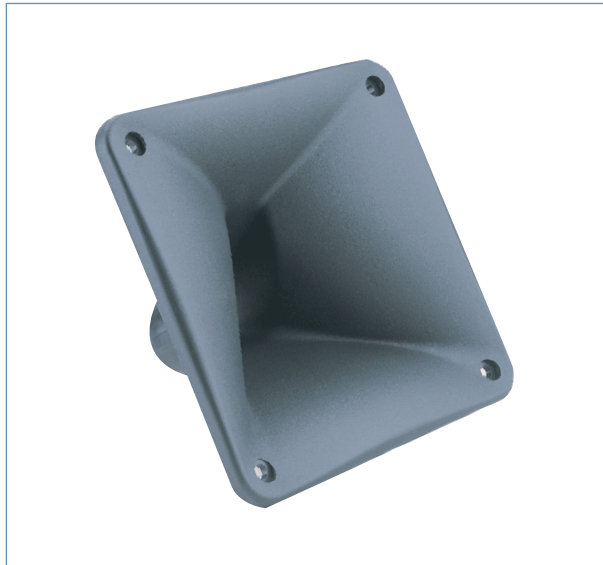
The PH-180 is a short throw, axis asymmetric horn design. The horn features a nominal 100 degree horizontal by 60 degree vertical radiation pattern and is ideal for applications where asymmetric acoustic radiation is specified. The medium format 1.0 inch (25.4mm) throat design is ideal for high sound pressure levels and low distortion through the mid band frequency range. The 1.0 inch diameter screw on throat design is a common diameter for many compression drivers.

The PH-180 offers a square mouth design that allows for horn rotation within an enclosure. The horn mouth width is ideal for use with 8 inch and larger loudspeakers in professional level two way system designs. The horn is compatible with many competitive compression driver designs because of its industry standard throat diameter.

The PH-180 is constructed from high impact ABS with additional glass fillers for superior structural support and rigidity.

The PH-180 may be used with the following P.audio professional compression drivers. (or any industry standard compatible driver)

- BM-D340S
- BM-D440S
- BM-D450S
- PreNeo-340S



Specifications

Nominal Coverage Angle (H° X V°) - 6 dB.	(50°-100°) x 60°
Cut Off Frequency (Hz.)	700 Hz
Throat Diameter	25.4mm (1")
Mounting Type	SCREW ON
Construction	Injected Polymer A.B.S with glass fiber filled Black Polycarbonate

MOUNTING DIMENSIONS :

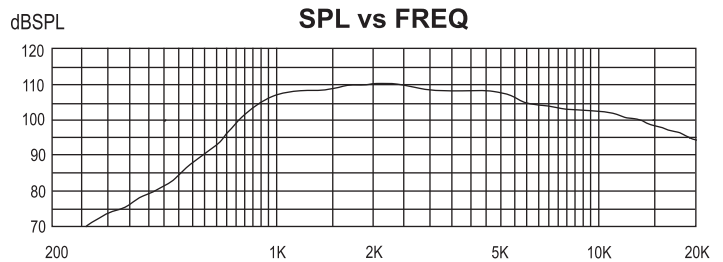
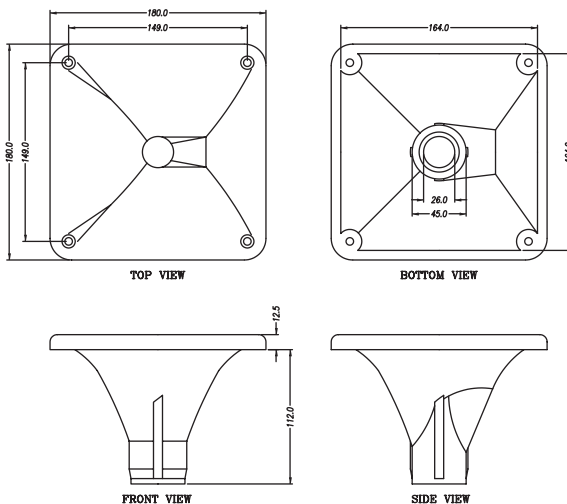
Rear Height :	149mm (5.87")
Rear Width :	149mm (5.87")

OVERALL DIMENSIONS :

Mount Height :	180mm (7.08")
Mount Width :	180mm (7.08")
Length :	125mm (4.92")

BAFFLE CUTOUT DIMENSIONS :

Height :	135mm (5.31")
Width :	135mm (5.31")
Net Weight :	0.4 kg (0.88 lbs)
Shipping Weight :	0.6 kg (1.32 lbs)
Packing Dimension :	195mm x 195mm x 140mm 7.67" x 7.67" x 5.51"



Response of horn with BM-D440S

19/4 Moo 2 T.Bangkratuk A. Samparn Nakornpathom 73210 Thailand
 Tel: +66-2-441-6600 Auto 30 Lines
 e-mail: info@paudiothailand.com
 Web site: www.paudiothailand.com
 All rights reserved by P.Audio System Co., Ltd. 2007

