



# BM-D™ Series II BM-D450



## High Output Compression Driver

The P Audio has redefined its BM series of compression drivers. The BM-D450 is a state of the art high output compression driver. New developments P Audio Research and Development have produced new levels of performance. State of the art manufacturing methods insure extremely reliable and consistent designs.

The new BM-D450 driver utilizes the recently developed CRT™ technology to substantially improve both the time domain response and reduce distortion through the critical upper vocal range (1.5kHz to 5kHz). This new technology, called Cavity Resonance Technology™ (CRT) acts to acoustically minimize the cavity found under all suspension driver suspension elements. By employing CRT technology, P Audio engineers have been able to greatly improve the vocal accuracy in the frequency range where vocal intelligibility is located. Magnetic fluid has also been added to increase thermal transfer and mechanical damping. These changes to the diaphragm and magnet structure assembly have also increased the sound pressure levels and smoothed the response between 10kHz and 20kHz. The result is a more accurate system, particularly for vocal range program material.

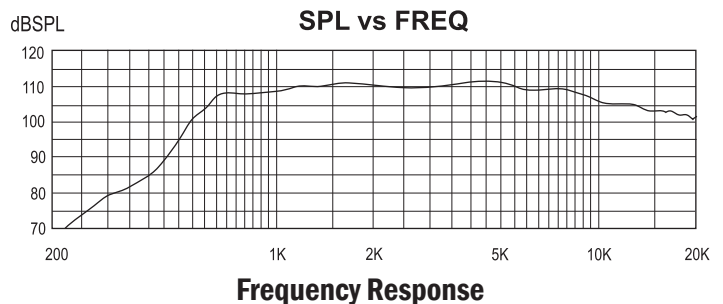
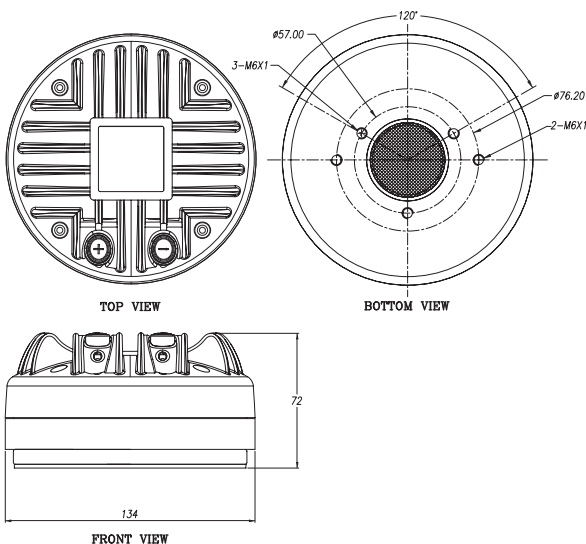
The BM-D450 is a medium format titanium based diaphragm assembly mated to a close spaced circumferential phase plug geometry. The voice coil is a rectangular geometry, high temperature aluminum to insure extended high frequency response. This diaphragm geometry is ideally suited for foreground/background high performance pa systems.

The 1.0 inch (25.4mm) throat exit makes the 450 an excellent choice for extended bandwidth and ultra high frequency applications such as three way designs. The BM-D450 is ideally suited for line array applications or other applications where a mid bass horn or direct radiator driver is also used. This medium format throat and medium format diaphragm insures wide dispersion at very high frequencies and is an excellent choice for three way systems or medium power two way designs. The 1.0 inch throat is compatible with a variety of P Audio horns and also compatible with industry standard 1.0 inch bolt on horns.

The Ferrite based permanent magnetic system produces a very high efficiency and value. This makes the BM-D450 ideal for professional applications as well as fixed installation systems. The large format Ferrite permanent magnet produces a very high conversion efficiency.

## Specifications

Throat Diameter	1.0 inch (25.4mm)
Diaphragm Diameter	1.75 inch (44.4mm)
Nominal Impedance	8 Ohm
Voice Coil DC Resistance	6.8 Ohm
Power Handling	60 Watt
Sound Pressure Level (1W@1M) (Loaded with 90x40 Horn)	110 dB
Mounting Type	Bolt On
Magnet	Ferrite
Diaphragm Material	Titanium
Recommended Crossover	1.5kHz or higher (12dB/Oct slope)
Net Weight	2.9kg (6.4lbs) 1pc
Gross Weight	6.1kg (13.4lbs) 2pcs
Packing Dimension HxWxD(cm)	32.7 x 16.1 x 10.8 (0.21 Cu.Ft.)



19/4 Moo 2 T.Bangkratuk A. Samparn Nakornpathom 73210 Thailand  
 Tel: +66-2-441 6600 Auto 30 Lines  
 e-mail: info@paudiothailand.com  
 Web site: www.paudiothailand.com  
 All rights reserved by P.Audio System Co., Ltd. 2007

